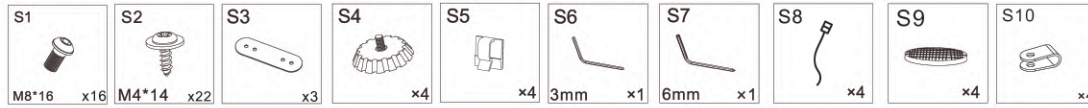
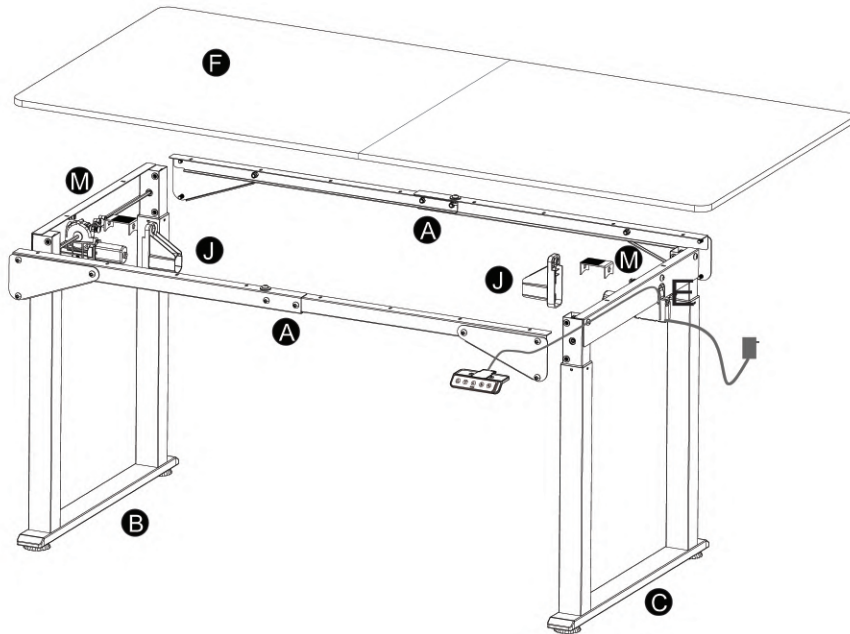
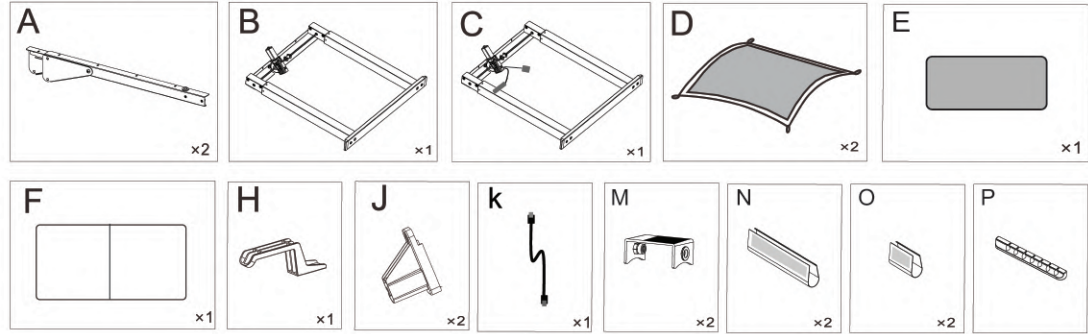


# Assembly Instruction

## • SCREW ACCESSORIES



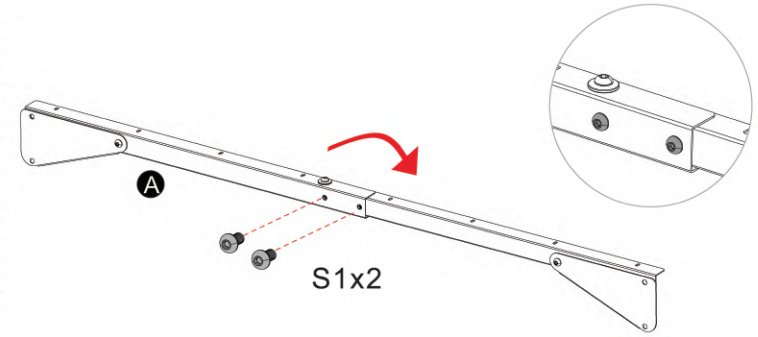
## • PARTS ACCESSORIES



### 1



Ax2



S1x2

x2

S1



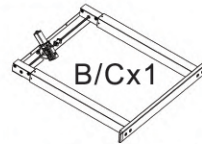
M8\*16 x4

S7



6mm x1

### 2



B/Cx1



Mx2



Jx2

S1



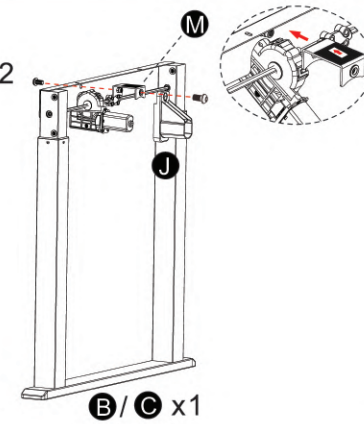
M8\*16 x4

S7

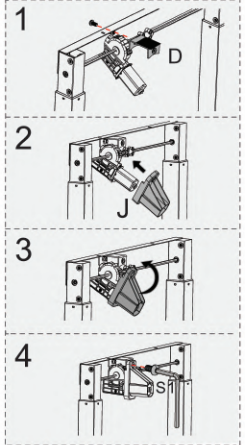


6mm x1

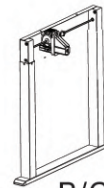
S1x2



B/C x1



### 3



B/Cx1

S1

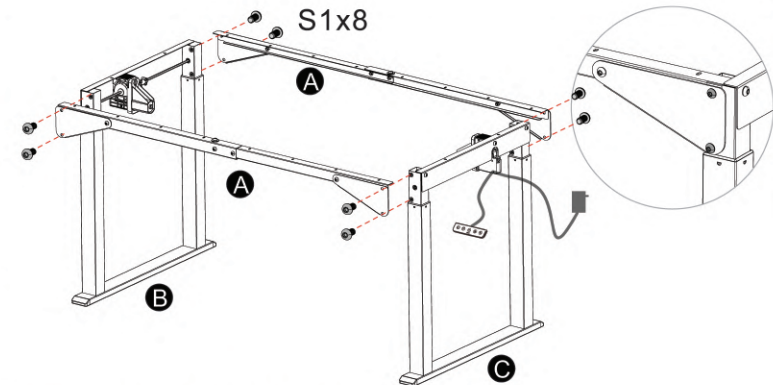


M8\*16 x8

S7



6mm x1



S1x8



Please make sure the table legs are vertical to the connecting rod . And then tighten all the screws.

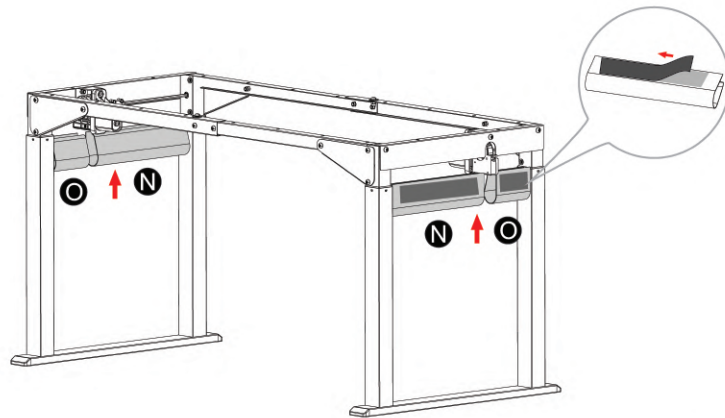
4



Nx2



Ox2



4



Dx2

S2



M4\*14 x8

S7

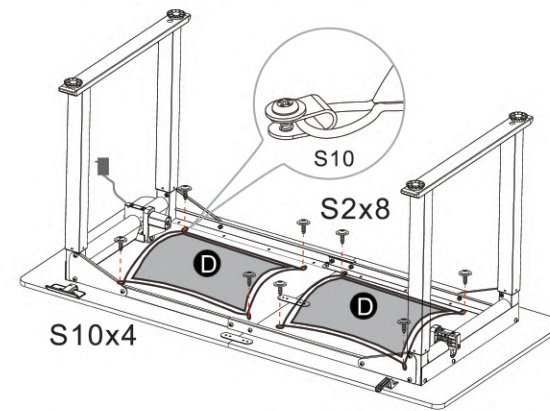


6mm x1

S10



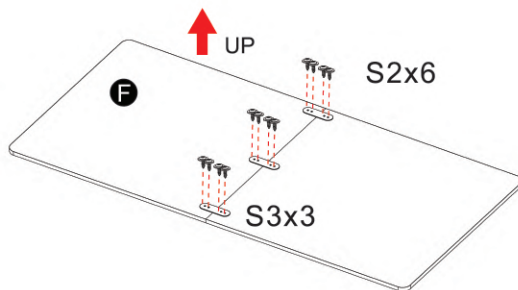
x4



5



F



S2



M4\*14 x6

S3



x3

S7



6mm x1



1. Please make sure the two boards are aligned and seamless
2. and then tighten the screws.

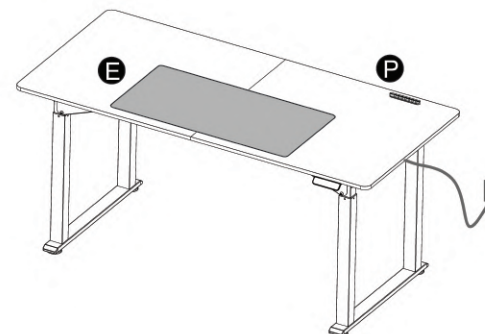
5



Ex1



Px1



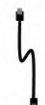
6



S4\*4



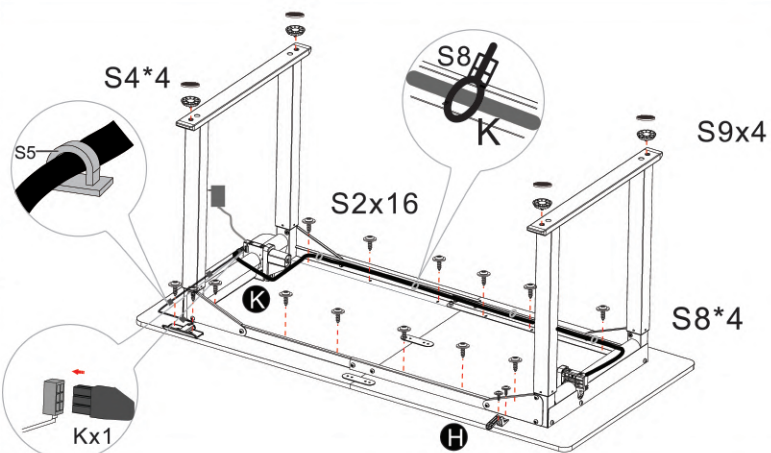
S9x4



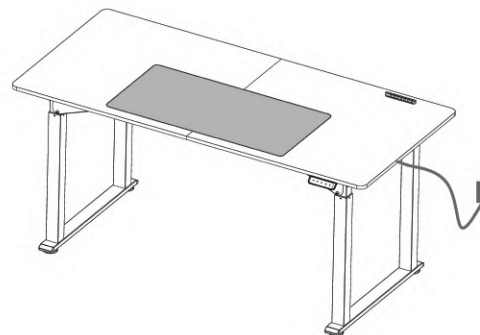
Kx1




Hx1



6



After the table is installed, please press the  key to start

During the reset process, the table will automatically run down to the lowest position for 5 seconds, and then the table will run up to a fixed position to stop.  
- successful installation