

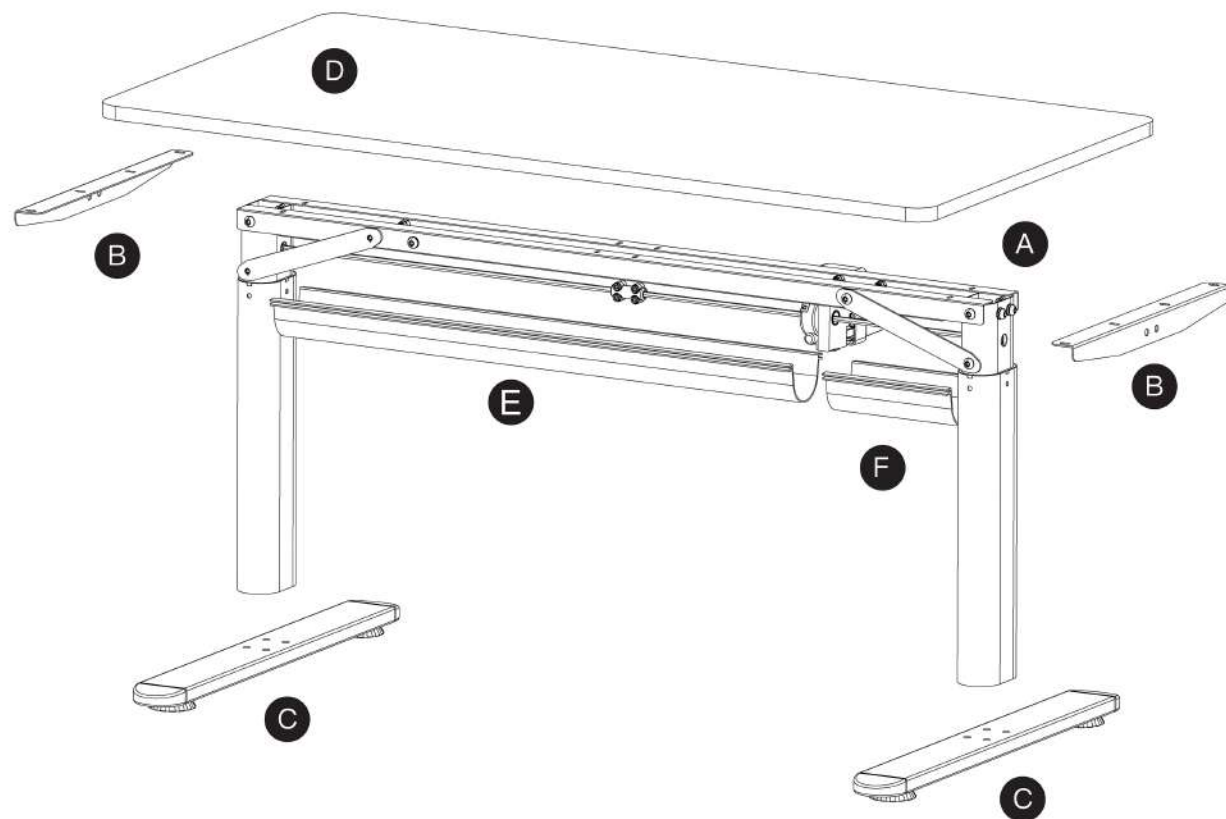
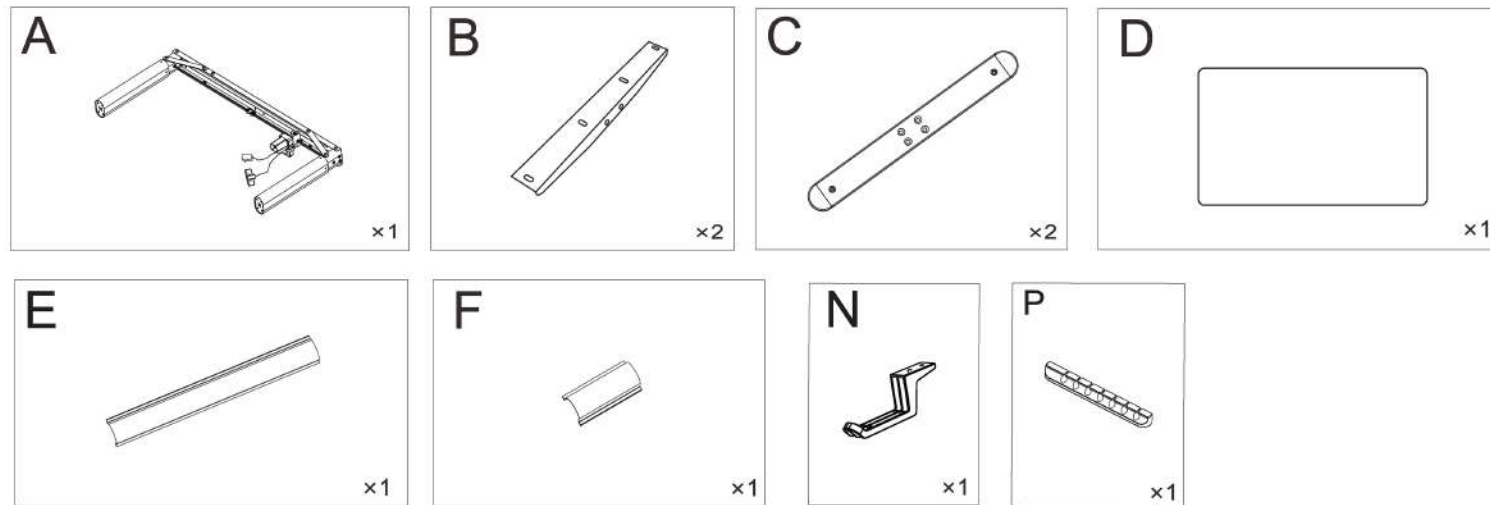
# ULTRADESK<sup>®</sup> PULSAR



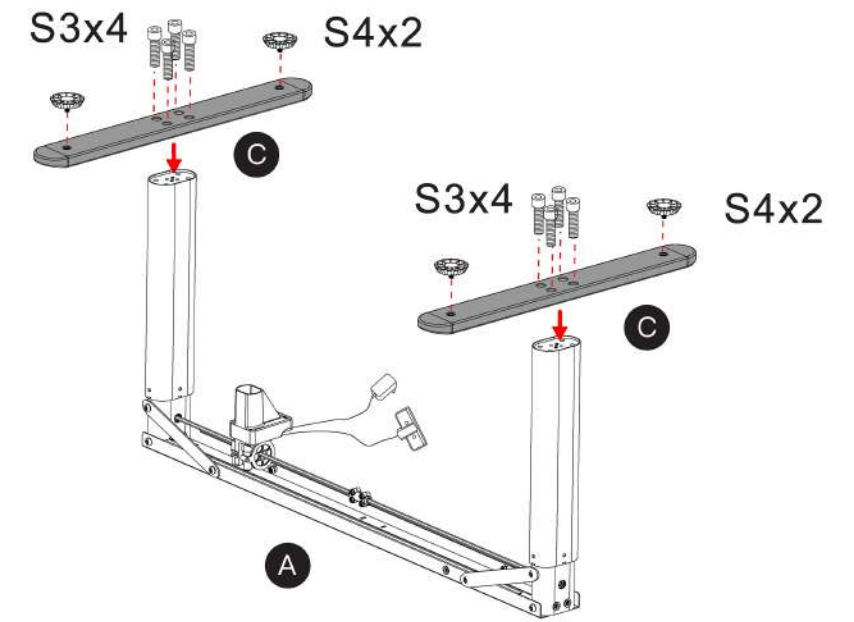
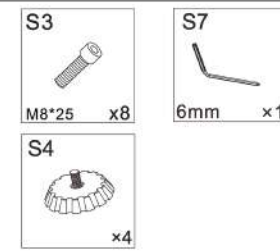
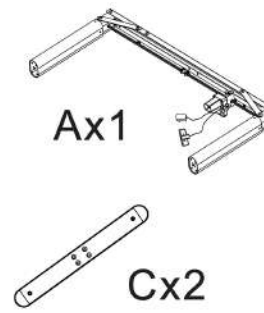
## • SCREW ACCESSORIES



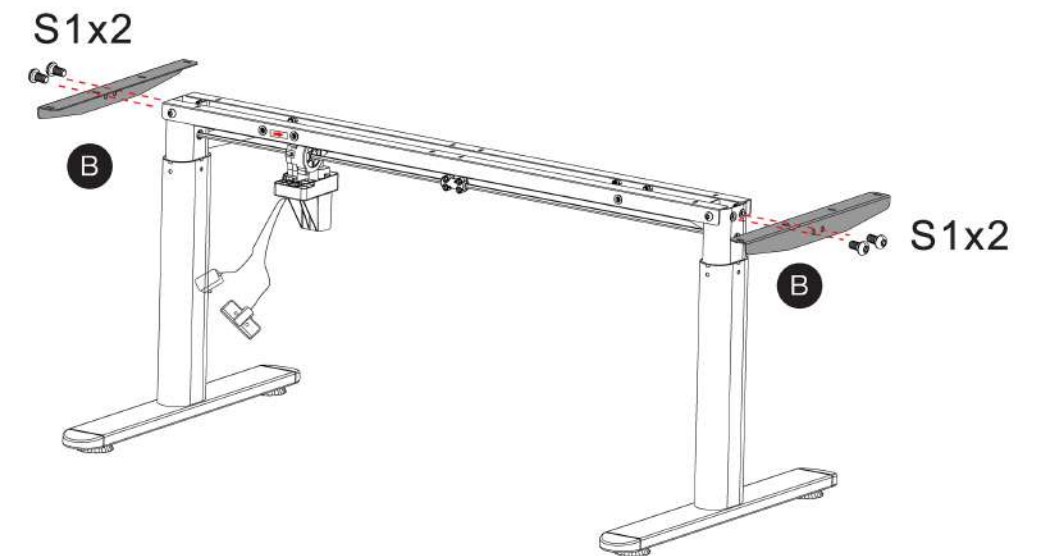
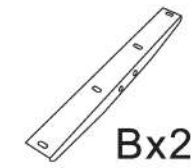
## • PARTS ACCESSORIES



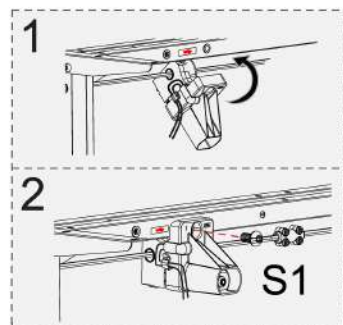
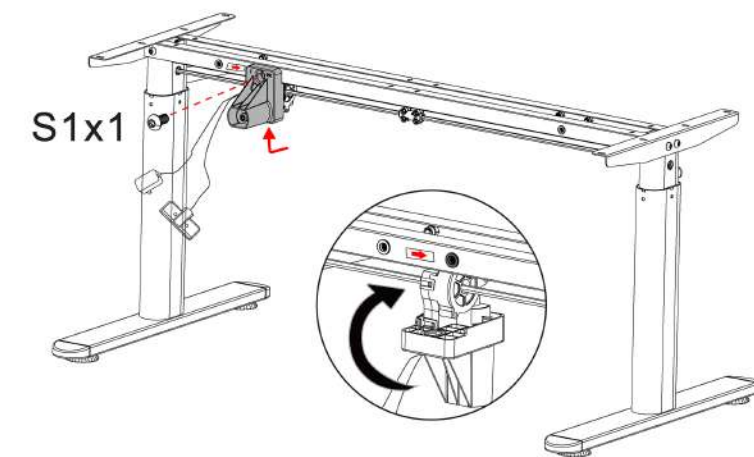
**1** →



**2** →



**3** →



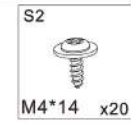
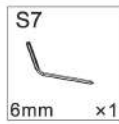
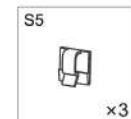
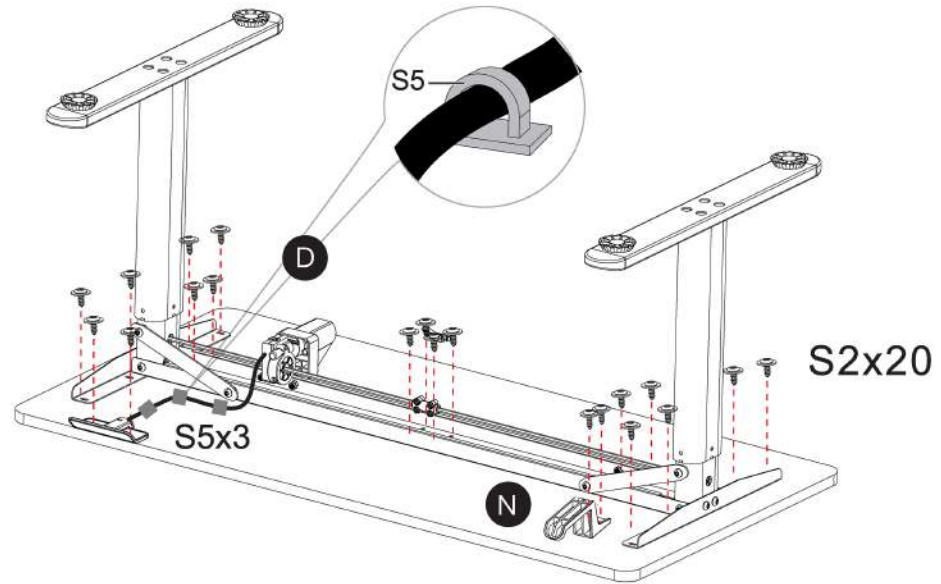
4



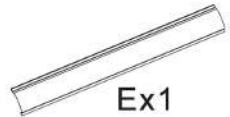
D



N

S2  
M4\*14 x20S7  
6mm x1S5  
x3

5



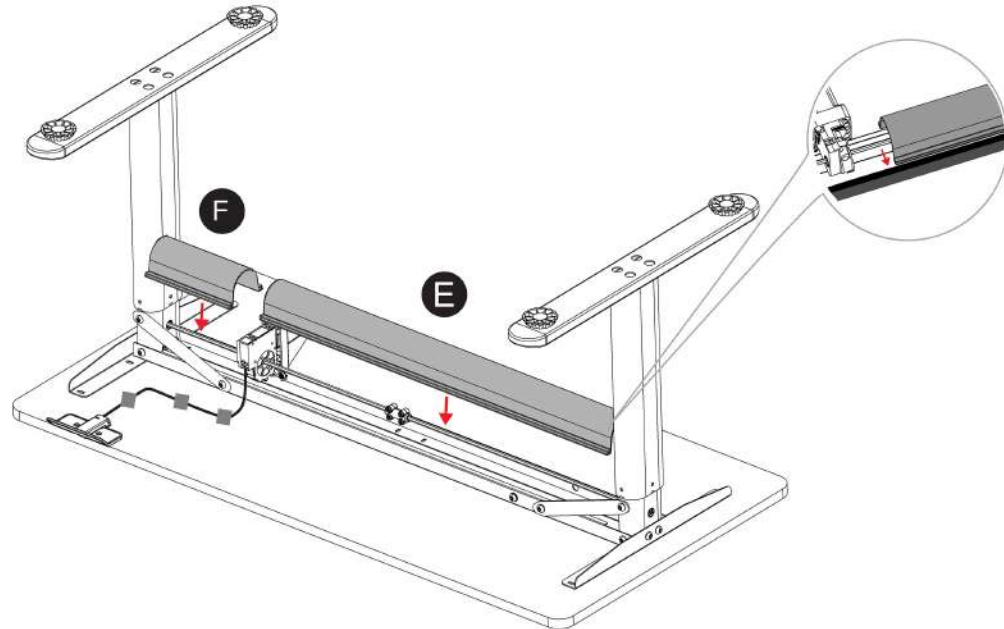
Ex1



Fx1

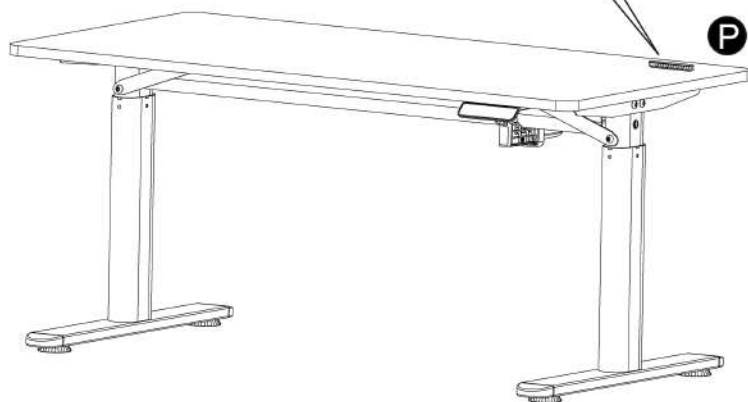


Px1

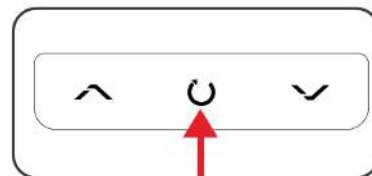



6

you needs to choose the right spot for this part, because it is installed with adhesive tape and can only be installed once.



P



After the table is installed,  
please press the  key to start

The table will automatically drop to the lowest point,  
stay for 5seconds, then rise to the highest point,  
and finally return to the initial position  
- successful installation

## Instruction Manual



Up: Up button





RST:Reset button




Down: Down button

### Up and down button operation

- ◆When the "" button is pressed, the desktop runs up until reaching the highest height.
- ◆When the "" button is pressed, the desktop runs down until it reaches the lowest height.

### Reset Operation:

- ◆Press and hold "" for 5seconds, then release the button to enter reset mode. The desktop automatically down to find the lowest height, then after a 5-second pause, the desktop automatically moves up to find the highest height, pause for another 5seconds. In the end, the desktop will automatically run down to the fixed position, and the reset process is over.

After the Installation of desk, pls execute this process first.

Main uses and applications: home.

Maintenance and repair:

When cleaning the table, use a soft towel dampened for scrubbing.

Regularly maintain the operation of the lift, once you find that the parts are loose or other abnormal, you need to promptly repair or remove and replacement.